

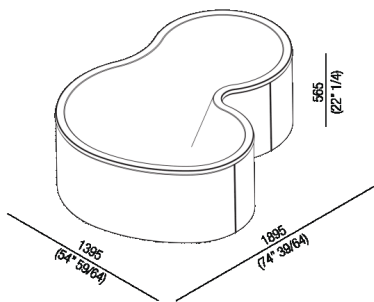


Bathtub with external structure

AVAS1091E\_

Studio MK27, Mariana Ruzante, Marcio

Kogan, 2020 (2014)



**Finishes**

-  Cementoskin® coffee
-  Cementoskin® green
-  Cementoskin® brick red
-  Cementoskin® light grey
-  Cementoskin® dark grey

**Materials**

-  Concrete

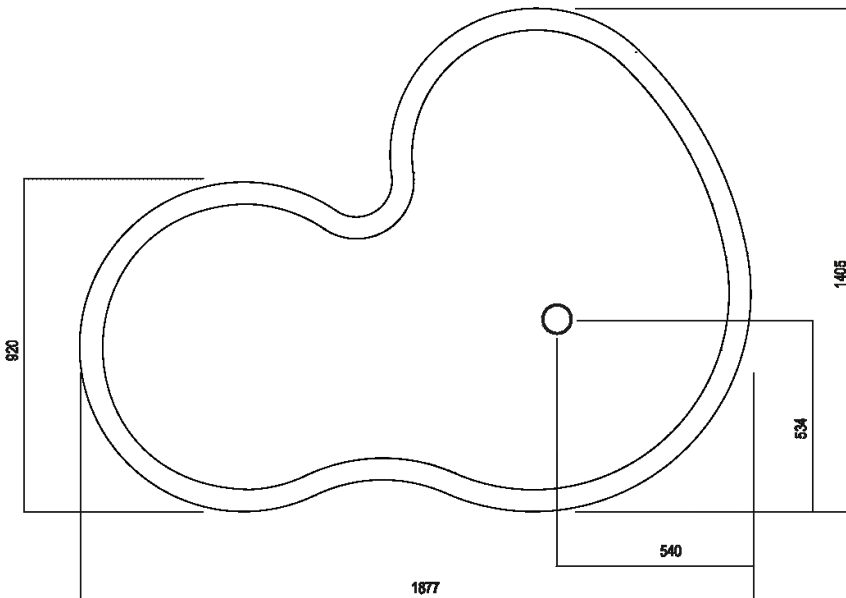
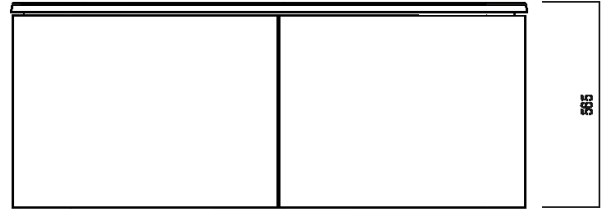


Bathtub realised in Cementoskin® (coloured concrete paste) in different colors. The outdoor version is available in the free-standing version, with or without exterior finish panel in multilayer okoume phenolic with a cement resin coating in the same color as the bathtub, with overflow integrated in the chromed waste trap .MET0722S included, without tap holes. The version without outside structure can be also built-in in the floor. For an easier installation of the bathtubs we recommend to use the template for the positioning of the waste trap AKITPZVAS. The bathtub is irregular in shape and therefore supplied with template. For proper positioning of the bathtub and systems the template can be ordered beforehand (.IMB1876). The bathtub must be placed on a flat surface that can support the weight.

Height:	56.5 cm	22" 1/4 inches
Width:	139.5 cm	54" 59/64 inches
Length:	189.5 cm	74" 39/64 inches
Weight:	295 kg	650 lbs
Capacity:	380 l	101 gal
Packaging:	205 x 153 x 85 cm	80" 6/8 x 60" 2/3 x 33" 4/8 inches
Total weight:	390 kg	860 lbs

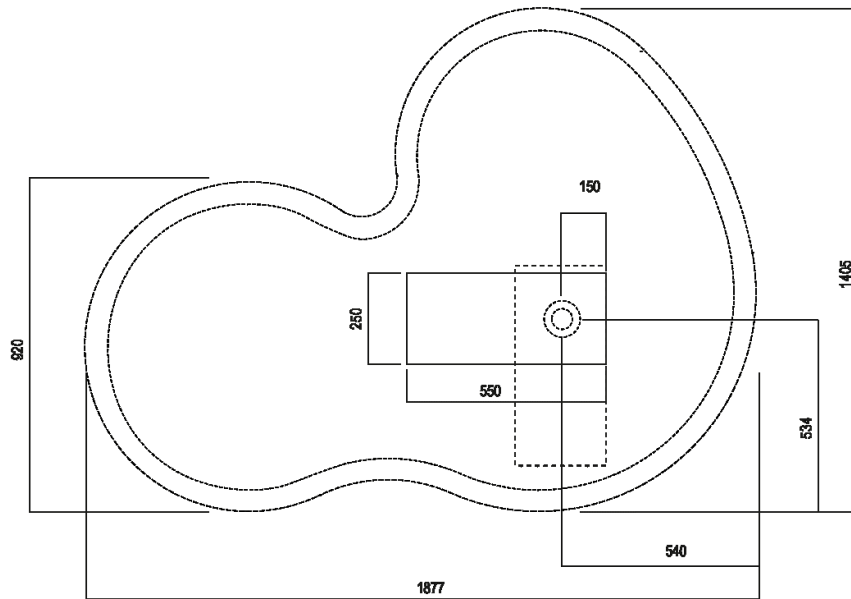


**Main dimensions**



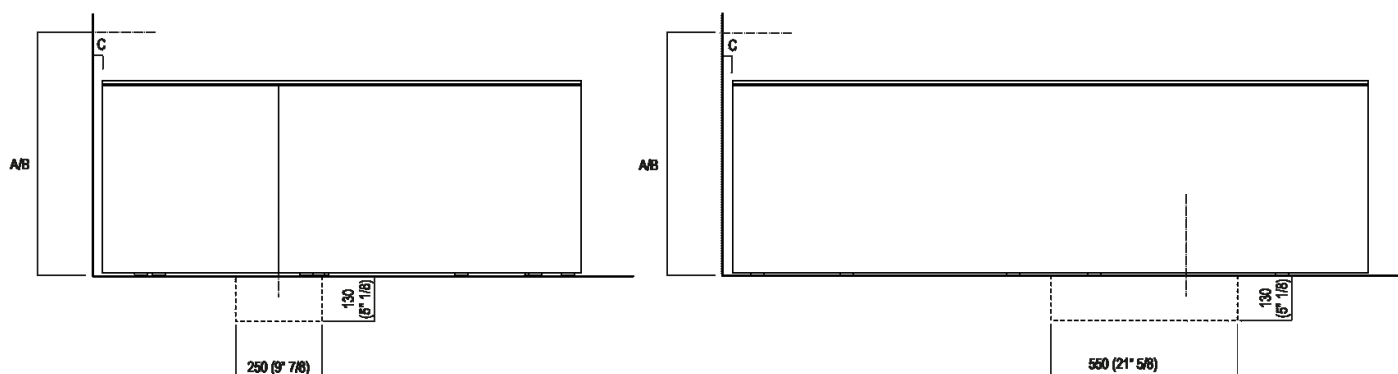


**Dimensions for recess**





Quote per rubinetteria a parete



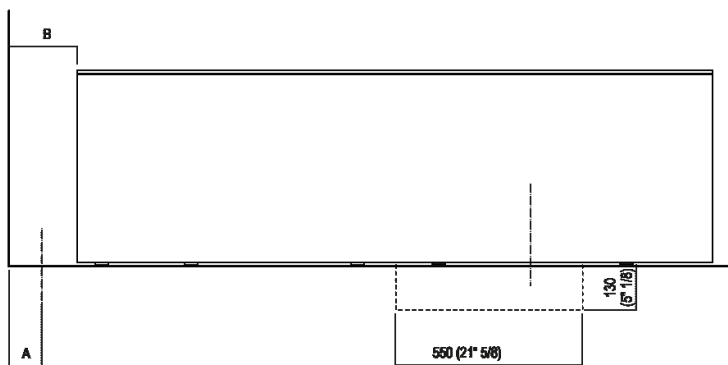
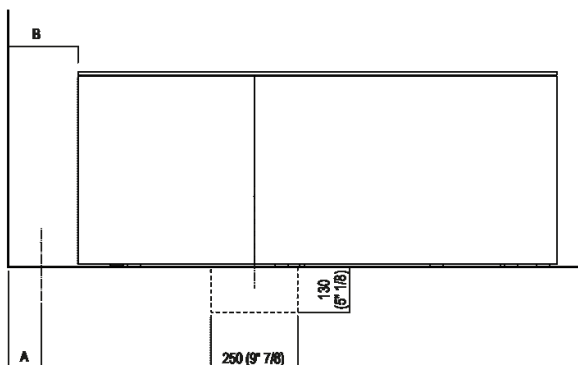
	A*	B**	C
FEZ 2 (AFEZ027)	700 (27 <sup>1</sup> / <sub>2</sub> )	-	80 (25 <sup>3</sup> / <sub>2</sub> )
LIMÓN (.ELIM437D, .ELIM443)	700 (27 <sup>1</sup> / <sub>2</sub> )	-	80 (25 <sup>3</sup> / <sub>2</sub> )
MEMORY (AMEM324, AMEM342, AMEM343)	700 (27 <sup>1</sup> / <sub>2</sub> )	-	80 (25 <sup>3</sup> / <sub>2</sub> )
MEMORY MIX (.MIX437D, EMIX443)	700 (27 <sup>1</sup> / <sub>2</sub> )	-	80 (25 <sup>3</sup> / <sub>2</sub> )
SEN (ASEN0912V)	-	700 (27 <sup>1</sup> / <sub>2</sub> )	20 (25 <sup>3</sup> / <sub>2</sub> )
SQUARE (ERUB1117)	700 (27 <sup>1</sup> / <sub>2</sub> )	-	20 (25 <sup>3</sup> / <sub>2</sub> )
SQUARE (ARUB1118)	700 (27 <sup>1</sup> / <sub>2</sub> )	-	120 (4 <sup>23</sup> / <sub>32</sub> )

Per un corretto posizionamento del pozzetto e della rubinetteria è necessario utilizzare la ditta in cartone con sagoma uguale al profilo della vasca.  
 For a correct positioning of the recess and the tap it is necessary to use the carton template with the shape of the bathtub.

\* inserasse gruppo / axial distance for tap  
 \*\* filo inferiore gruppo / Tap's lower edge



Quote per piantane da terra



	A	B
FEZ 2 (EFEZ026, MET885) (EFEZ028)	90 (3'35/64)	175 (6'57/64)
LIMÓN (ELIM425)	135 (5'5/16)	230 (9'1/16)
MEMORY (EMEM325)	135 (5'5/16)	230 (9'1/16)
MEMORY MIX (EMIX425)	135 (5'5/16)	230 (9'1/16)
LIMÓN / MEMORY / MEMORY MIX (EMEM327)	90 (3'35/64)	175 (6'57/64)
SQUARE (ERUB1112, ERUB1115)	90 (3'35/64)	175 (6'57/64)
SEN (ESEN0911, ESEN0977)	90 (3'35/64)	160 (6'19/64)

Per un corretto posizionamento del pozzetto e della rubinetteria è necessario utilizzare la dima in cartone con sagoma uguale al profilo superiore della vasca.  
 For a correct positioning of the recess and the tap it is necessary to use the carton template with the shape of the upper rim of the bathtub.